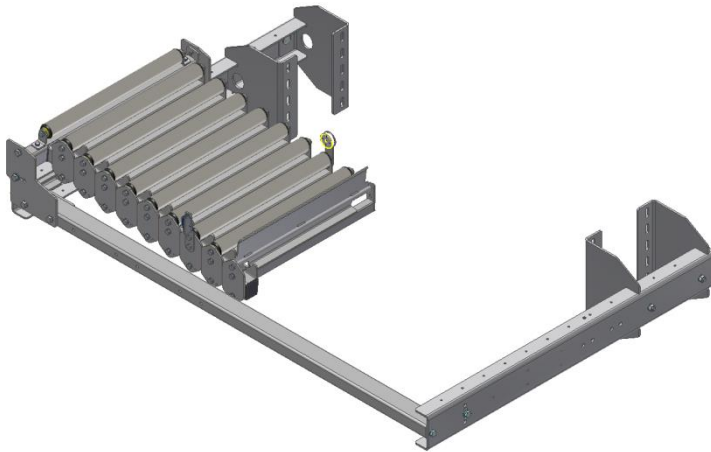
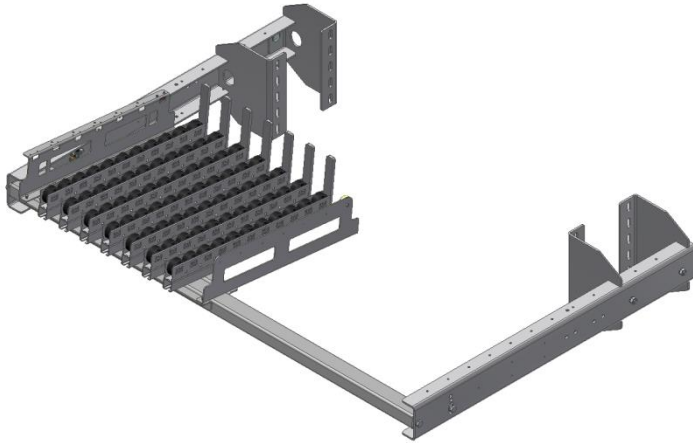


Gravity roller conveyor



Type		Standard	XL	
Product dimensions (LxW)	min	160x160	160x160	mm
	max	600x600	900x600	mm
Product height	min	50	50	mm
Conveyor angle		6 / 12	6 / 12	°
Roll diameter		40	40	mm
Roll (horizontal) pitch		75	75	mm
Detection		Photoelectric reflex switch	Photoelectric reflex switch	
In- / outfeed speed		depends	depends	m/s
Conveyor weight		65	89	kg
Conveyor angle of 6°				
Product weight		5 – 12	5 – 12	kg
Bottom infeed height		741	895	mm
Top infeed height	column height	-480	-663	mm
Bottom outfeed height		640	794	mm
Top outfeed height	column height	-610	-763	mm
Conveyor angle of 12°				
Product weight		0 – 4	0 – 4	kg
Bottom infeed height		806	960	mm
Top infeed height	column height	-422	-575	mm
Bottom outfeed height		632	786	mm
Top outfeed height	column height	-680	-833	mm

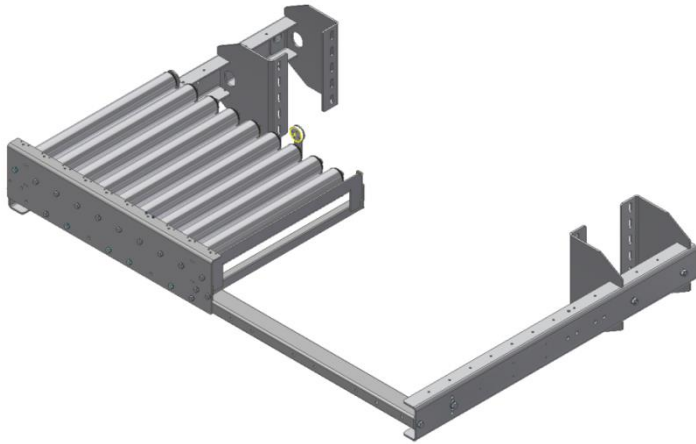
Gravity wheel conveyor



Type		Standard	XL	
Product dimensions (LxW)	min	160x160	160x160	mm
	max	600x600	900x600	mm
Product height	min	50	50	mm
Conveyor angle		6 / 12	6 / 12	°
Wheel diameter		48	48	mm
Wheel track pitch		75	75	mm
Wheel width		17	17	mm
Wheel pitch		52	52	mm
Detection		Photoelectric reflex switch ¹	Photoelectric reflex switch ²	
In- / outfeed speed		depends	depends	m/s
Conveyor weight		53	76	kg
Conveyor angle of 6°				
Product weight		5 – 12	5 – 12	kg
Bottom infeed height		745	899	mm
Top infeed height	column height	-505	-658	mm
Bottom outfeed height		681	835	mm
Top outfeed height	column height	-530	-683	mm
Conveyor angle of 12°				
Product weight		0 – 4	0 – 4	kg
Bottom infeed height		763	917	mm
Top infeed height	column height	-417	-570	mm
Bottom outfeed height		598	752	mm
Top outfeed height	column height	-558	-711	mm

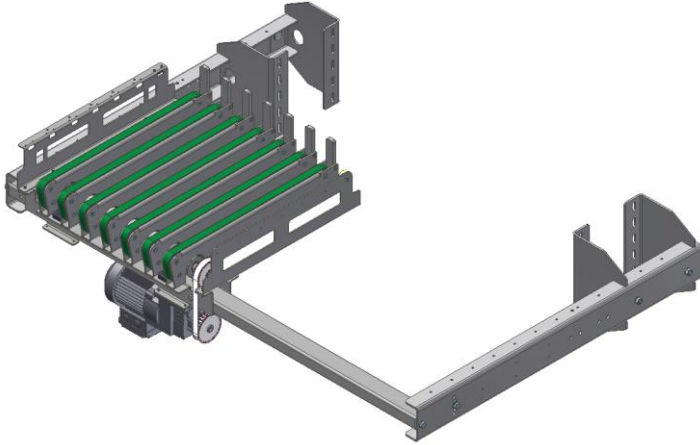
¹ If product has width > 560 (on standard) or > 860 (on XL), detection with photoelectric proximity switch

RollerDrive conveyor



Type		Standard	XL	
Product dimensions (LxW)	min	160x160	160x160	mm
	max	600x600	900x600	mm
Product height	min	50	50	mm
Roll diameter		50	50	mm
Roll pitch		75	75	mm
Detection		Photoelectric reflex switch	Photoelectric reflex switch	
In- / outfeed speed	st	0,6	0,6	m/s
	max	0,8	0,8	m/s
Conveyor weight		66	92	kg
Product weight		0 – 25	0 – 25	kg
Bottom infeed height		676	830	mm
Top infeed height	column height	-545	-698	mm
Bottom outfeed height		676	830	mm
Top outfeed height	column height	-545	-698	mm

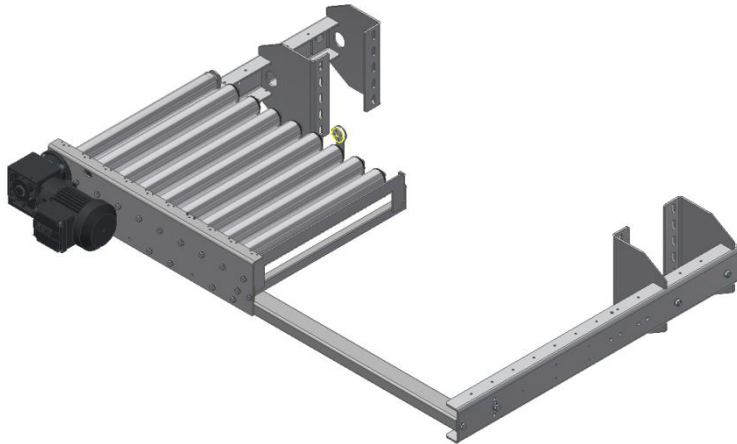
Multi belt conveyor



Type		Standard	XL	
Product dimensions (LxW)	min	160x160	160x160	mm
	max	600x600	900x600	mm
Product height	min	50	50	mm
Roll diameter		50	50	mm
Roll pitch		75	75	mm
Detection		Photoelectric reflex switch ²	Photoelectric reflex switch ⁵	
In- / outfeed speed	st	0,6	0,6	m/s
	max	0,8	0,8	m/s
Conveyor weight		78	109	kg
Product weight		0 – 25	0 – 25	kg
Bottom infeed height		676	830	mm
Top infeed height	column height	-530	-683	mm
Bottom outfeed height		676	830	mm
Top outfeed height	column height	-480	-633	mm

² If product has width > 560 (on standard) or > 860 (on XL), detection with photoelectric proximity switch

Driven roller conveyor



Type		Standard	XL	
Product dimensions (LxW)	min	160x160	160x160	mm
	max	600x600	900x600	mm
Product height	min	50	50	mm
Roll diameter		50	50	mm
Roll pitch		75	75	mm
Detection		Photoelectric reflex switch	Photoelectric reflex switch	
In- / outfeed speed		0,6	0,6	m/s
Conveyor weight		72	101	kg
Product weight		0 – 25	0 – 25	kg
Bottom infeed height		676	830	mm
Top infeed height	column height	-545	-698	mm
Bottom outfeed height		676	830	mm
Top outfeed height	column height	-545	-698	mm